

# EUROPEAN PATENT OFFICE

## Patent Abstracts of Japan

PUBLICATION NUMBER : 07300162

PUBLICATION DATE : 14-11-95

APPLICATION DATE : 28-04-94

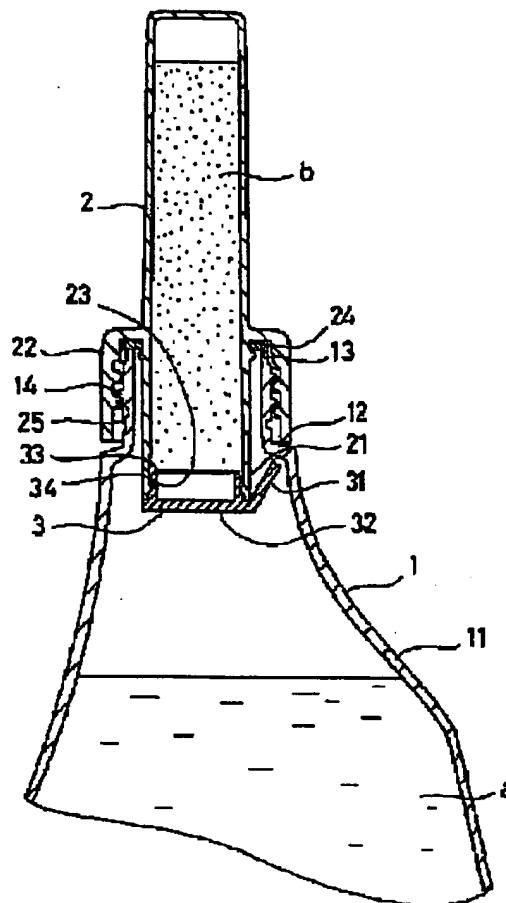
APPLICATION NUMBER : 06114534

APPLICANT : YOSHINO KOGYOSHO CO LTD;

INVENTOR : OGAWA RIICHI;

INT.CL. : B65D 81/32 B65D 51/28

TITLE : CONTAINER FOR COMBINED TWO  
KINDS OF CONTENTS



ABSTRACT : PURPOSE: To provide a container wherein two kinds of contents, liquid and powder, for example, are mixed immediately before use, in a simple structure and at a low manufacturing cost.

CONSTITUTION: A container comprises a first container which has a neck 13 at the top and a projecting-piece-abutting means in its inside under or around the neck, a second container overturned with its mouth 21 inserted into the neck 13 in a detachable manner, and plug 3 removably fitted to the mouth 21 of the second container 2 and provided with a projection 31 to be engaged with the projecting-piece-abutting means. The first container 1 holds a first content (a) such as liquid, and the container 2 holds a second content (b) such as powder. When the second container 2 is removed in this state, the mouth 21 of the second container is pulled out from the neck 13 of the liquid container 1, whereas the plug 3 does not move, because it is engaged with the projecting-piece-abutting means in the first container 1. Thus, the plug 3 is detached from the second container and the second content (b) is mixed with the first content (a).

COPYRIGHT: (C)1995,JPO